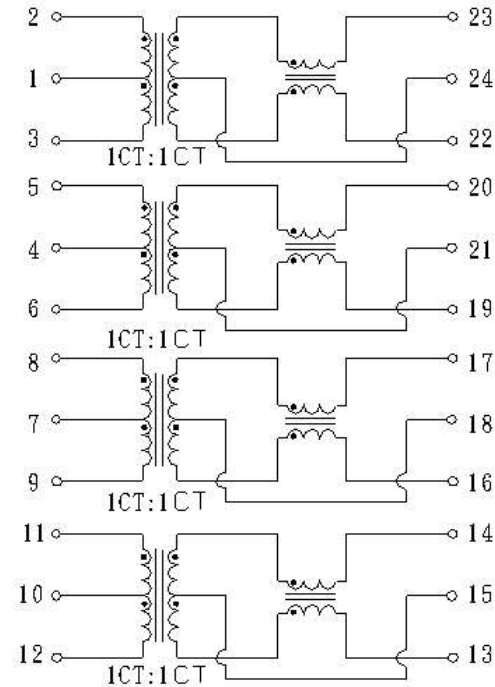


Units: mm [Inches] Tolerance: xx.x0±0.25 [0.010]
0.xx±0.05 [0.002]



ELECTRICAL CHARACTERISTICS:

1. TURNS RATIO : TX/RX = 1CT : 1CT
2. PRI \square CL@100KHZ/0.1V : 350uH MIN.
3. CROSS TALK : 30 MHZ = -45dB MIN.
60 MHZ = -40dB MIN.
-35 MHZ = -35dB MIN.
4. INSERTION LOSS : 1-100 MHZ = -1.0dB MAX.
5. RETURN LOSS@100 \square HM : 1-30 MHZ = -18dB MIN.
40 MHZ = -14.4dB MIN.
50 MHZ = -13.1dB MIN.
60-80 MHZ = -12dB MIN.
100 MHZ = 10dB MIN.
6. DCMR : 30 MHZ = -43dB MIN.
60 MHZ = -37dB MIN.
80 MHZ = -33dB MIN.
7. HI-POT = 1500V
8. RoHS COMPLIANT

						Atech®		TITLE TRANSFORMER	
						Atech Technology Co. Ltd.		DWG. NO.	
						TEL:022794-6667 FAX:022794-8004		ATPL-311R	
REVISIONS						UNITS:		SAFETY	
						DATE		SHEET 1 OF 1	
						P/N:		DRAW	